

CARD-O-PULLS™

Printed Circuit Board Card Ejectors & Handles

45°

Ø .032 [Ø0.8mm]
TYP.

Ø .025 [Ø0.6mm]
TYP.



Material Specifications:

White Nylon, per ASTM D 4066 PA111
U.L. Rated 94V-2

Oxygen Rating Index:

Over 28%

Standard Drawing Tolerances:

(unless otherwise indicated)

Fractions: ± 1/64 (0.4)

.X = ± 0.10 (2.5)

.XX = ± 0.01 (0.25)

.XXX = ± 0.005 (0.13)

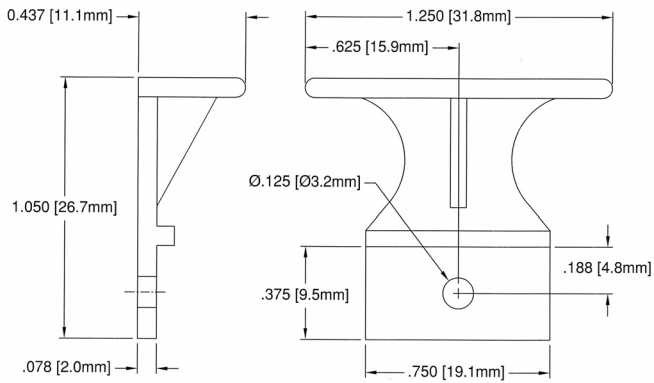
Ordering Information:

CP-XX GN

Color (WE for White)
Base Part

CP-00 Series

No pin WE for white or specify color



CP-01, 02 Series

No pins WE for white or specify color

